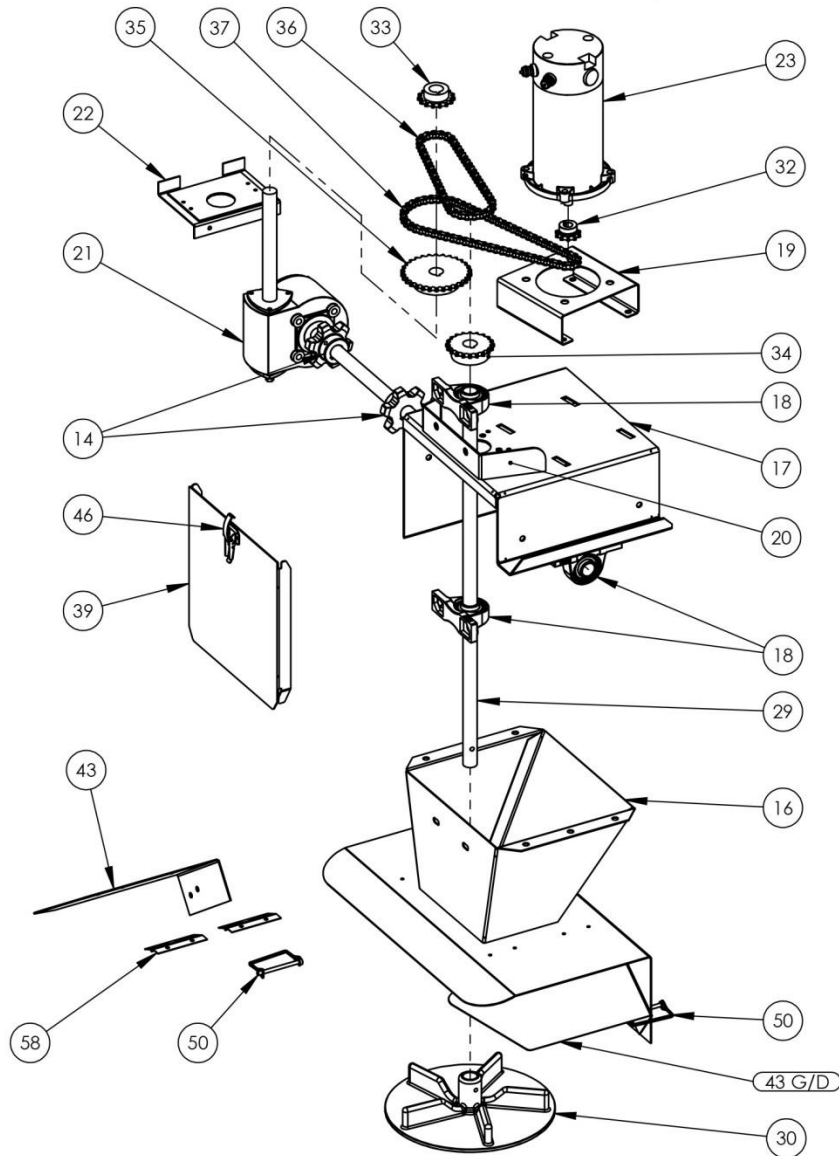
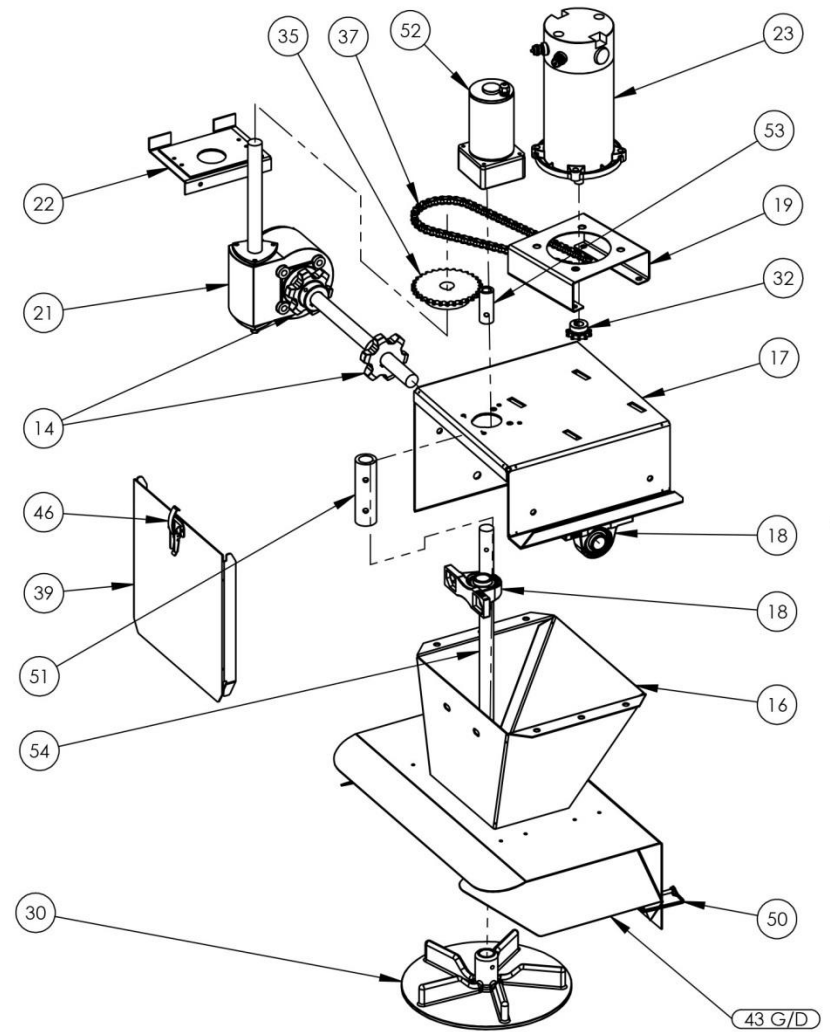


vue détaillée
moteur simple



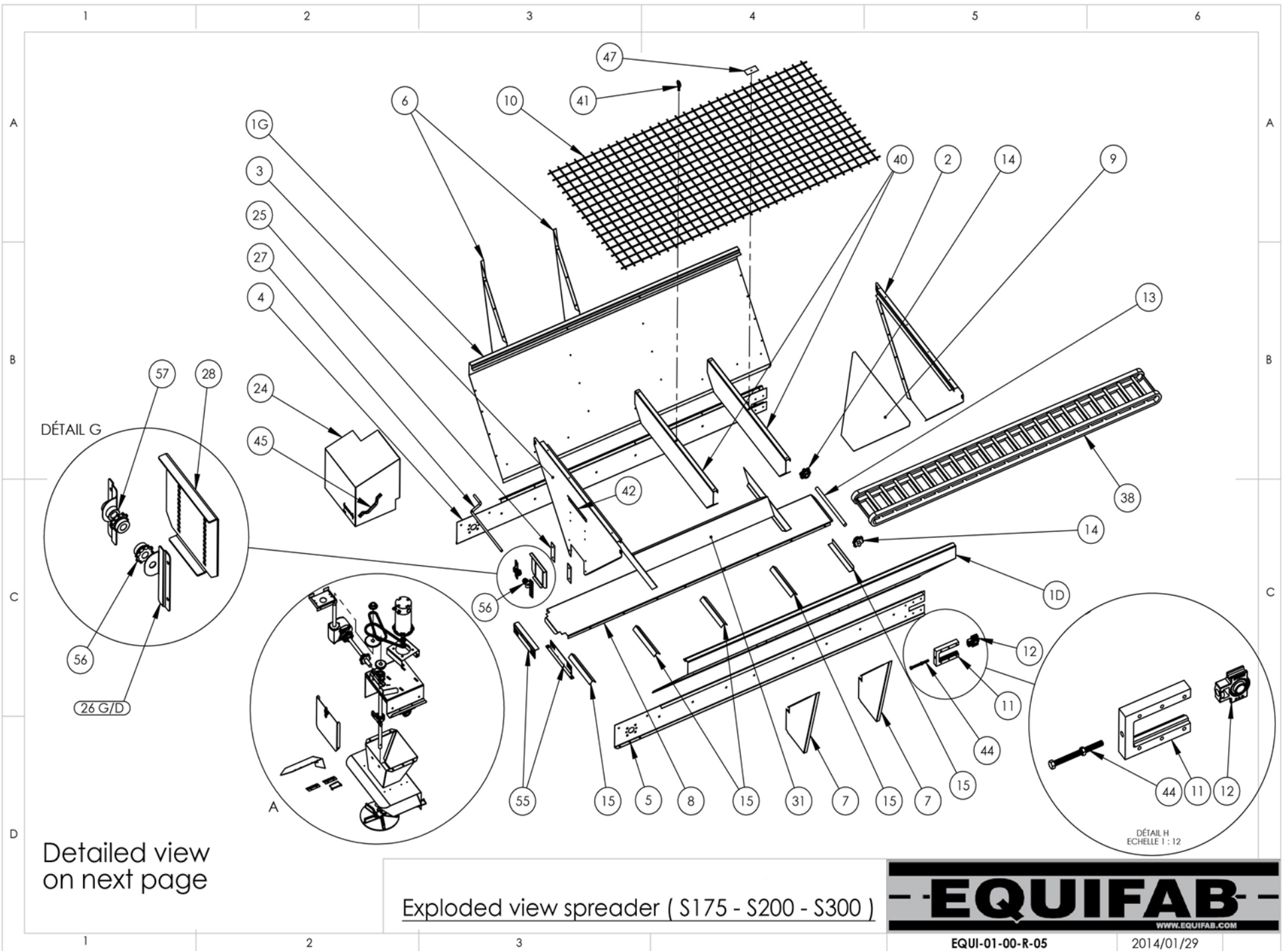
vue détaillée
moteur double



- EQUIFAB -
www.EQUIFAB.COM

EQUI-01-00-R-05

2014/01/28



Detailed view
on next page

Exploded view spreader (S175 - S200 - S300)



STAINLESS STEEL SPREADER PARTS BREAKDOWN (S175-S200-S300)

ITEM	DESCRIPTION	PART
1	Side panel left or right	S001
2	Front panel	S002
3	Rear panel	S003
4	Left conveyor panel	S004
5	Right conveyor panel	S005
6	Left support	S006
7	Right support	S007
8	Conveyor floor	S008
9	Deflector	S009
10	Top screen	S010-S200
11	Take-up holder	PS020
12	Take-up bearing	PS021
13	Conveyor shaft	PS022
14	Conveyor sprockets	PS023
15	Conveyor support	S015
16	Complete chute ass'y	S016
17	Rear support	S017
18	Pillow block	PS030
19	Motor support	PS007
20	Pillow block support	S020
21	Gear box	PS009
22	Chain guard	S022
23	Motor	PS006
24	Lid	S024
25	Door slides Right	PS003
25	Door slides Left	PS004
26	Braket for door handle	PS026
27	Door handle	PS018
28	Door	PS005
29	Spinner shaft	PS011
30	Spinner disc Rubber	PS012-RB
31	V ass'y	S031
32	Motor sprocket	PS041
33	Driven sprocket for spinner	PS039
34	Driven sprocket for spinner	PS040
35	Moteur driven sprocket	PS038
36	Spinner chain	PS033
37	Motor chain	PS032
38	Conveyor chain (S100)	PS034-4
38	Conveyor chain (S175)	PS034-7S
38	Conveyor chain (S200)	PS034-8
38	Conveyor chain (S300)	PS034-10
39	Rear end guard	S039
40	Cross member	S040
41	Eye bolt	PS042
42	Lid support	S042
43	Chute deflector Right - Left	PS043G-D
44	Tensioner Bolt	PS031
45	Plastic handle	S045
46	Stainless panel latch	S046
47	Plate 2" x 4" stainless	PS047
50	Goupille de déflecteur /	PS050
51	Rubber coupling	PS051
52	Spinner motor	PS052
52	Spinner motor	PS053
53	Stub shaft	TG018
54	Spinner shaft dual motor	PS054
55	Wiper (sold ass'y with PS035W) (PS035B)	PS035B-W
56	Door sprockets	PS037
57	Shaft collar	PS017
	Chute bearing protector	PS100
	Reinforcement	PS020B